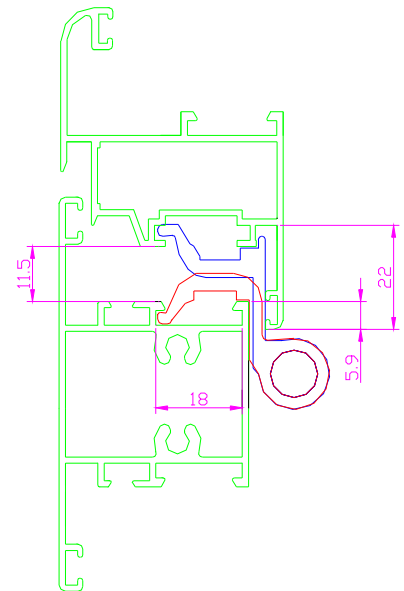


Hinges



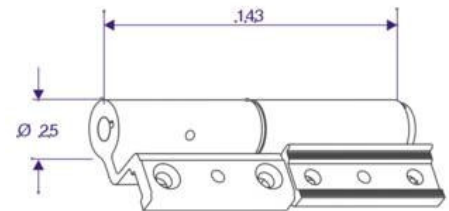
Hinge for European Groove



Ref. 429 / 429Z

- *Valid for European Groove.*
- *Plates in Aluminium or zamak.*
- *7 mm. steel rotation pivot.*
- *Screws in stainless steel.*
- *Supplied with pre-assembled screws and plates in order to make easier the assembly.*
- *With three threaded points in each plate .*
- *Possibility of stainless steel rotation pivot.*
- *Possibility of surface finish in "Oro" (Polished Gold) or "Inox" (Satin stainless steel).*

DOOR HINGE



Ref. 439

- *Valid for European groove series.*
- *Direct assembly over the frame and leave through plates fixation.*
- *Recommended for heavy doors.*
- *Possibility of adjustment the frame-leave distance ± 1 mm.*
- *10mm diameter Stainless steel axis. Aluminium plates.*
- *Stainless steel screws.*
- *Easily change in left or right handed. It include an screw to make easier the operation.*
- *Three threaded holes in each plate.*
- *Possibility of metalized finishings.*

Three Leaves Hinge for European Groove



Ref. 433

- *Valid for European Groove.*
- *Plates in aluminium or zamak.*
- *Supplied with pre-assembled screws and plates in order to make easier the assembly.*
- *7 mm. steel rotation pivot.*
- *Screws in stainless steel.*
- *With three threaded points in each plate.*
- *Recommended for great size doors.*
- *Possibility of surface finish in "Oro" (Polished Gold) or "Inox" (Satin Stainless Steel).*

Friction Hinge for Projecting Style Windows



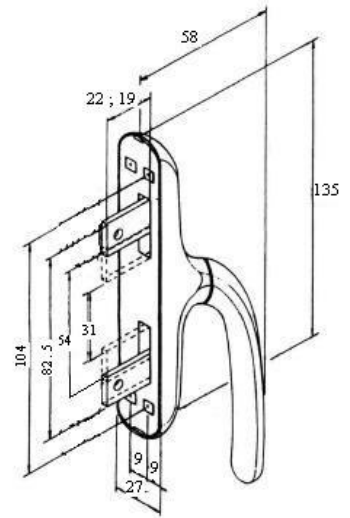
Ref. FS0311

- *Valid for European Groove and 40x20.*
- *Made in stainless steel.*
- *Recommended for windows of up to 20 kg.*
- *Angle of opening 64°.*

Cremones and Handles



Cremone Handle for Outside Opening



Ref. 404

- *Aco cremone handle for outside opening.*
- *Modern and uniform product for all kind of aluminium closing.*
- *Made in aluminium and die-cast zamak providing a long durability and avoiding the wearing down.*
- *High quality powder coated, with polyester powder.*

Kit for Outside Opening



Ref. 414

- *Complement for outside opening.*
- *It is allocated inside the groove of the profile.*
- *It has some nylon pieces which allow a perfect adaptation to all the inside dimensions.*
- *Fastening screws with diameter 8 and screwed M6.*

Locking Kit for Side Hung Windows



Ref. 415

- *Kit for an european groove wing.*
- *Incorporates inside a stainless steel bar which reinforce it, providing to it a great resistance.*
- *Fast fixation through stainless steel plates.*

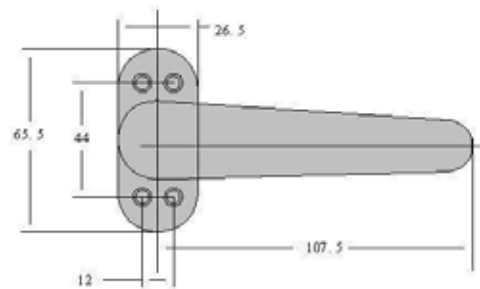
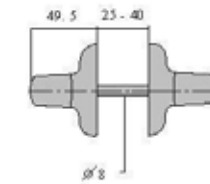
Zamak Latches Set for Paired Wings



Ref. 407

- *Latches Set for passive wing in european groove profiles.*
- *Made in Zamak.*
- *Provides great resistance to the closing.*
- *Fast fixation or assembly through two screws.*
- *Powder coated in black or white.*

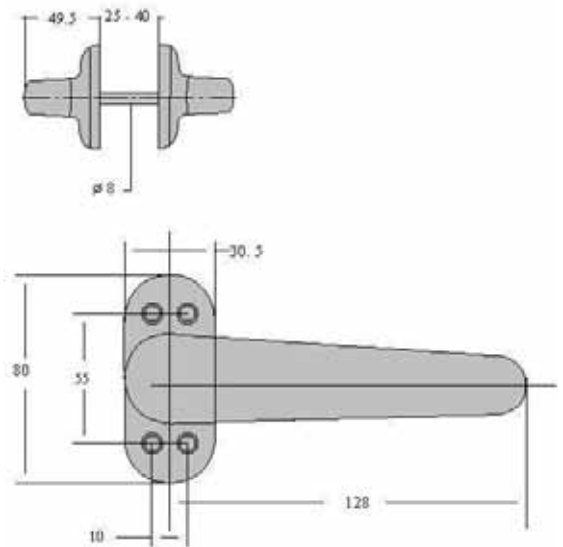
Aco Double Handle



Ref. 417

- *Modern and uniform product for all kind of aluminium closing.*
- *Made in aluminium and die-cast zamak providing a long durability and avoiding the wearing down.*
- *High quality powder coated, with polyester powder.*
- *Two handed and maximum reliability driving spring.*
- *Fixed to the profile through 4 screws.*
- *Possibility of surface finish in "Oro" (Polished Gold) or "Inox" (Satin stainless steel) of long duration.*

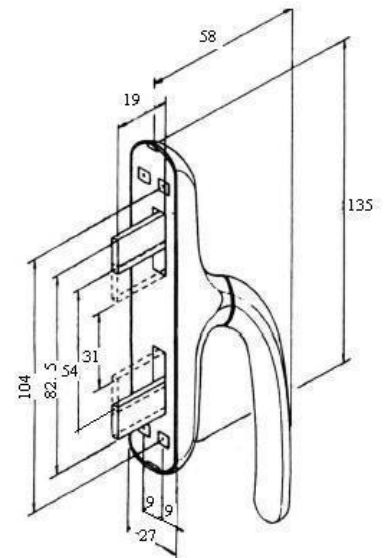
Handle with Rotating Screw Cover Base



Ref. 416

- *Made in aluminium and die-cast zamak.*
- *Maximum reliability drive system due to a strong spring with a great recovery power.*
- *Fixed to the profile through 4 screws.*
- *Rotating screw cover base which is fitted to the body handle through a manual action, very comfortable and functional.*
- *Modern style and streamlined design.*
- *High quality power coated, with epoxy-polyester powder.*
- *Possibility of surface finish in "Oro" (Polished Gold) or "Inox" (Satin stainless steel) of long duration.*

Aco Cremone Handle



Ref. 419

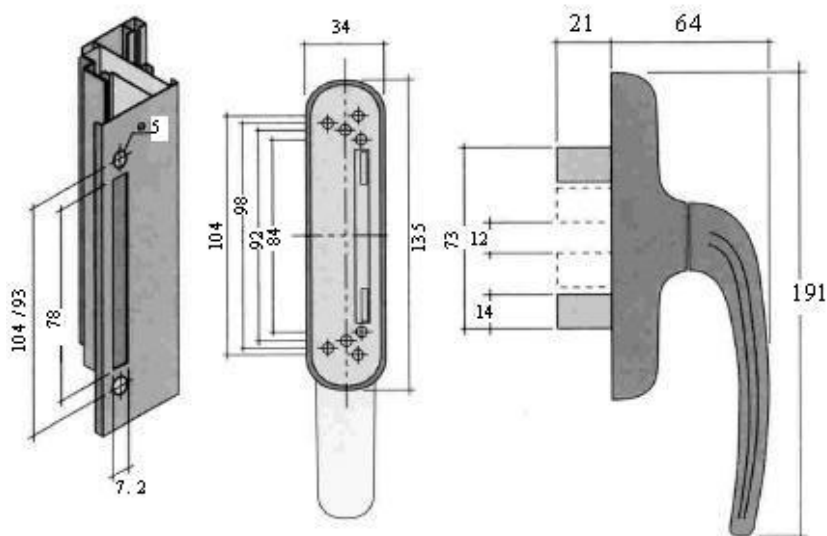
- *Aco cremone handle for inside opening.*
- *Modern and uniform product for all kind of aluminium closing.*
- *Made in aluminium and die-cast zamak providing a long durability and avoiding the wearing down.*
- *High quality powder coated, with polyester powder.*

Aco European Cremone Handle



Ref. 408-E

- *Very strong cremone for profiles of great size.*
- *Made completely in die-cast zamak and aluminium.*
- *Possibility of surface finish in "Oro" (Polished gold) or "Inox" (Satin stainless steel) of long duration.*



Huella Cremone Handle



Ref. 408-H

- *Attractive and innovator design.*
- *Ergonomic handle which suits perfectly with the hand.*
- *Very strong cremone for profiles of great size.*
- *Made completely in die-cast zamak and aluminium.*
- *Possibility of surface finish in "Oro" (Polished gold) or "Inox" (Satin stainless steel) of long durability and proved resistance.*

Safety Latch for European Groove



Ref. 413-E

- *Aluminium and nylon closing for tilted windows.*
- *Fast assembly through stainless steel plates.*
- *Great security in the closing.*

Restrictive Compass Hinge for European Groove



Ref. 421 I

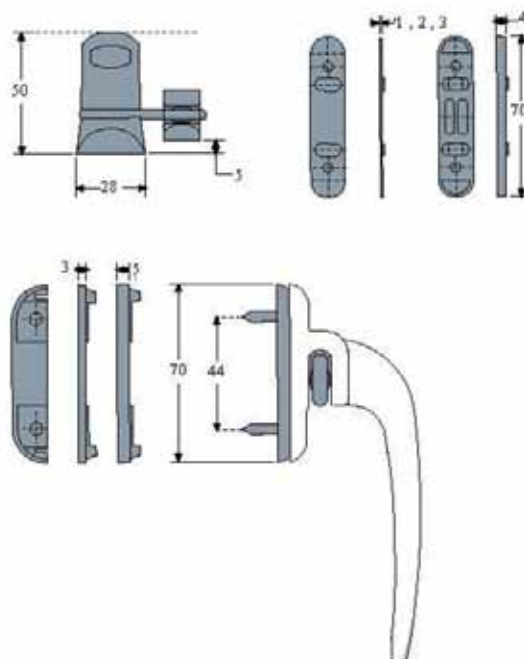
- *Restrictive compass hinge made in stainless steel and die-cast zamak.*
- *Valid for european groove profiles.*
- *It has a top which regulates the opening of the wing.*
- *Detachable, making easier the external cleaning.*
- *Dimensions:*
 - *150 mm. Arm: Ref 421I*
 - *220 mm. Arm: Ref 422I*

Pressure Locker for Hinge Systems



Ref. 423

- *Modern and dynamic style.*
- *Great surface finish.*
- *Great fit of the fastener, without roominess.*
- *Supplied with several nylon keeper guides in order to adapt it to every door or window.*



Corner Joints and Unions



- *They are made with extruded profile of high thickness, which provides great rigidity to the union.*
- *We have a wide range in all the models, that covers all the existing cameras, from 10 to 40 mm.*
- *Screws in stainless steel.*

Bloqueo Corner Joint R and RD



Ref. See example.

- *Depends on the button shape, they are called RD – Rounded of \varnothing 8mm – or R – Rectangle of 8 x 6 mm -.*
- *The button may be centred or with the suitable displacement in order to avoid the profile nerves.*
- *DIN 913 M8 Screw in stainless steel.*
- *Example:*

RD 3714 – 150

RD: Button Shape (Rounded)

37: Width of the groove

14: Height of the groove

150: Displacement of the button

Bloqueo Corner Joint RA and RDA



Ref. RDA.../ RA...

- *Depends on the button shape, they are called RDA – Rounded of \varnothing 8mm – or RA – Rectangle of 8 x 6 mm -.*
- *The button may be centred or with the suitable displacement in order to avoid the profile nerves.*
- *DIN 913 M8 Screw in stainless steel.*
- *Example:*

RDA 3714 – 150

RDA: Button Shape (Rounded)

37: Width of the groove

14: Height of the groove

150: Displacement of the button

European Corner Joint



Ref. E...

- *European corner bracket, functional and economic.*
- *DIN 913 M6 Screw in stainless steel.*
- *The button may be centred or with the suitable displacement in order to avoid the profile nerves.*
- *Example:*

E 3714 – 150

37: Width of the groove

14: Height of the groove

150: Displacement of the button

Long Press Corner Joint



Ref. SA...

- *The distance between the mechanized and the profile vertex is 30 mm, providing a great rigidity.*
- *The mechanized of the profile is 13x8 mm.*
- *DIN 913 M6 Screw in stainless steel.*
- *Example:*

SA 2817 –150

28: width of the groove

17: height of the groove

150: displacement to the centre of the mechanized

Soft Aluminium Corner Joint



Ref. M...

- *It has movable buttons fixed through stainless steel springs.*
- *Easy and comfortable assembly.*
- *It don't require a great precision in the profiles mechanized.*
- *Recommended for the assembly of the profiles in perimeter sliding windows.*
- *Example:*

M 2510-100

25: width of the groove

10: height of the groove

100: displacement to the centre of the mechanized

Die Cast Corner Joints



Ref. INY...

- *Maximum quality Die Cast Corner Joint.*
- *Without nut, threaded directly in the corner joint.*
- *Dimensions:*

Iny2311	22 x 10.4
Iny2411	24 x 10.5
Iny2314	23 x 14
Iny2414	23.9 x 14
Iny2915	28 x 14
Iny3211	32 x 10.7
Iny3614	36 x 14
Iny3715	36 x 14.7

T-Union for European Groove



Ref. 8...

- *Unions to assemble crosspieces of straight cut.*
- *It covers all the dimensions of european groove series.*
- *Screw and DIN 913 screw in stainless steel.*
- *Made on extruded aluminium profile.*
- *It must be placed inside the guide before assembling the frame.*

Open T-Union for European Groove



Ref. 6...

- *Unions to assemble crosspieces of straight cut.*
- *It covers all the dimensions of european groove series.*
- *Made on extruded aluminium profile.*
- *Screw and DIN 913 screw in stainless steel.*
- *It can be placed with the frame assembled.*

Sliding Windows



Narrow Nylon Lateral Closing Gear



Ref. 403

- *Lateral closing gear made in die-cast polyamide.*
- *Valid for several closings only changing the hook and the frame hook.*
- *Only available in black.*

Narrow Aluminium Lateral Closing Gear



Ref. 409 - C

- *Narrow aluminium lateral closing gear with automatic drive.*
- *Classic closing but with a streamlined design, curved ends and rounded hollow pulser.*
- *Wide range of frame hooks for any series.*
- *Possibility of surface finish in "Oro" (Polished gold) or "Inox" (Satin stainless steel).*

Narrow/Wide Zamak-Nylon Lateral Closing Gear



Ref. 394 - 395

- *Compound lateral closing gear:*
 - *Body in die-cast zamak.*
 - *Slider piece in nylon.*
- *Automatic drive.*
- *Exists two models:*
 - *394: Wide closing for profiles with a 22,23 and 25 mm. groove. Generally used for doors.*
 - *395: Narrow closing for profiles with a 18 mm. groove. Generally used for windows.*

Narrow Zamak Lateral Closing Gear



Ref. 391

- *Narrow lateral closing gear made in completely in zamak.*
- *Modern style, with a streamlined design showing maximum suiting with the profile.*
- *Very functional and maximum reliability in the driving.*
- *Valid for automatic drive or manual only turning a reversible piece in the back side..*
- *Possibility of surface finish in "Oro" (Polished gold) or "Inox" (Satin stainless steel) very recommended for imitation wood closings.*

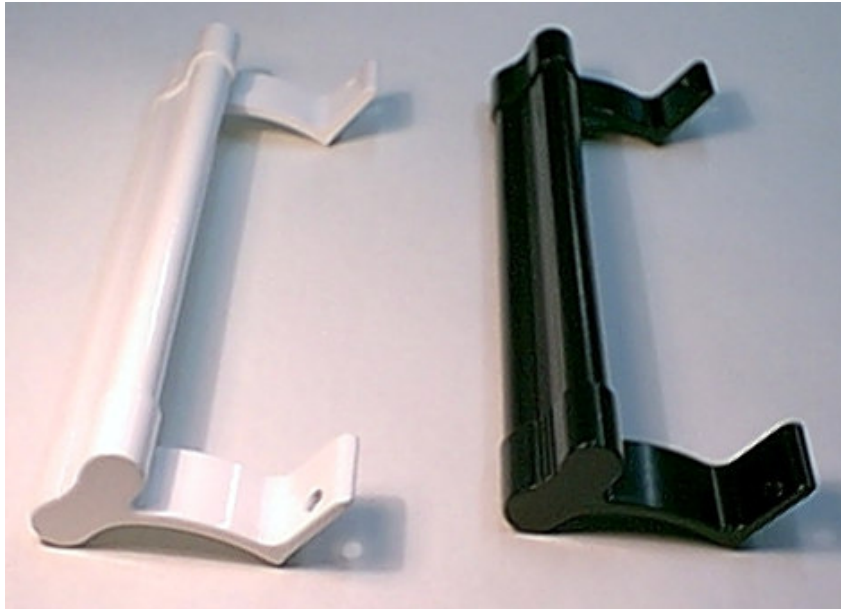
Closing Gear without Screws



Ref. 397

- *Fast assembly just with pressure without screws.*
- *Streamlined and modern design.*
- *Suitable for all kind of sliding windows.*
- *First quality raw materials: body in extruded aluminium, pulser in nylon, hook in zamak, and stainless steel springs.*
- *Possibility of manual and automatic pulser.*
- *Possibilities of different finishing, silver, gold, inox, etc..*

Pull Handle for Lateral Closing Gear



Ref. 418

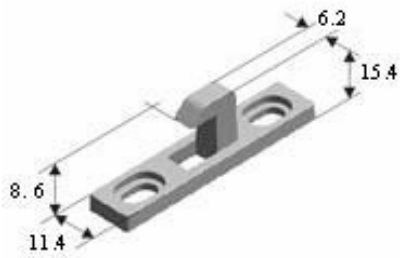
- *Pull handle for lateral closing gear, recommended for doors.*
- *The handle is made in extruded aluminium and the feet in die-cast zamak.*
- *Suitable for the 409C, 410, 411 and 412 closing gears.*
- *Possibility of surface finish in "Oro" (Polished gold) or "Inox" (Satin stainless steel).*

Frame Hooks



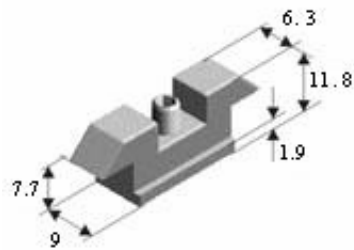
Ref. Depends on the series.

- *Frame hooks made in die-cast zamak.*
- *Wide range to cover all the market necessities.*



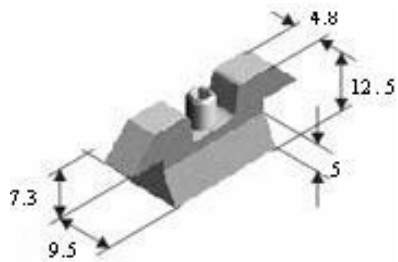
Cod: 0011

Standard 8mm
 7180 Superpuesta – Exlabesa -



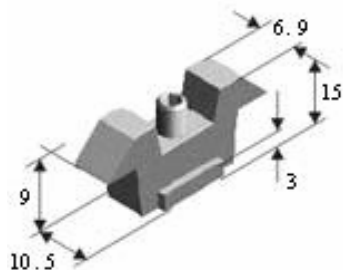
Cod: 0016

BL
 Triana
 CW-60



Cod: 0021

640
 Aluprom 21
 2300



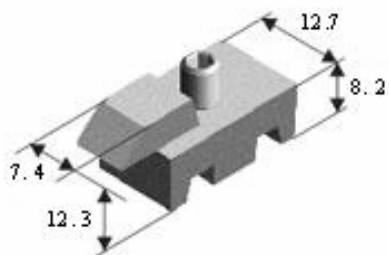
Cod: 0024

LG
 Giralda



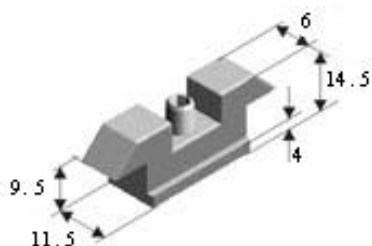
Cod: 0025

Standard 6mm
 2300 Superpuesto
 Sport-20
 Diana Ventana



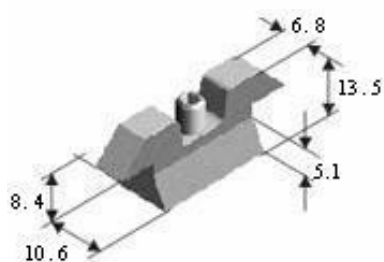
Cod: 0026

G-90
 5000



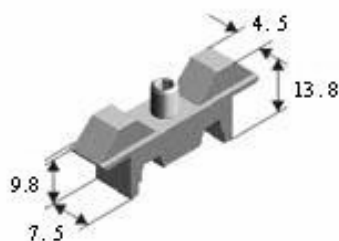
Cod: 0032

Eur 300 – Alugon -



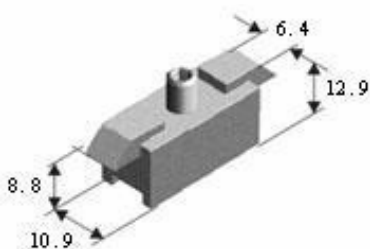
Cod: 0063

2300 Cuña Ancha



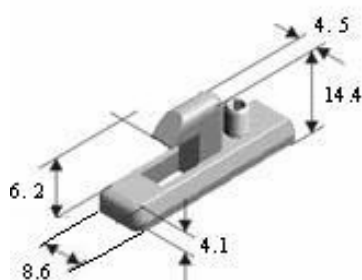
Cod: 0081

1850 – Aluzal –
BA-61 – Exlabesa -



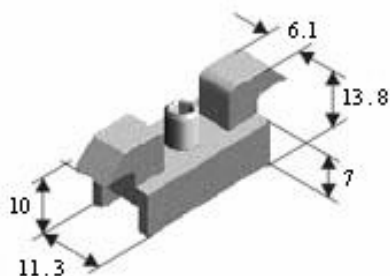
Cod: 0083

1950 – Aluzal –
7180 – Exlabesa –
5200
C047



Cod: 0087

P-60
P-65
Eur 200 – Alugon –
Elite Ventana



Cod: 0088

CW-70
CW-75
G-96

Kits for Sliding Windows



Ref. Depends on the series.

- *Pieces made in high quality polyamide and rubber, which provide a high level of water tightness in the closing.*
- *Supplied in individual bags.*
- *Wide variety of kits for the different series of the market: 2300, 640, P60, P92, 800, 7180,...*

Wheel Roller For Sliding Windows



- *Available in several materials:*
 - *Nylon*
 - *Die-cast Zamak*
 - *Iron*
- *Depending on the possibility of wheel fit inside the roller exist:*
 - *Fixed (of one or several positions)*
 - *Adjustable*
 - *Tandem*
- *Rollers of balls, calibrated and rectified.*

Alignment Angles



Ref. depends on the series and material

- *Its purpose is to avoid possible misalignments in the profiles unions.*
- *Made in stainless steel, galvanized iron, aluminium and nylon.*
- *Available for almost all aluminium closings.*
- *Possibility of manufacture under client specifications.*